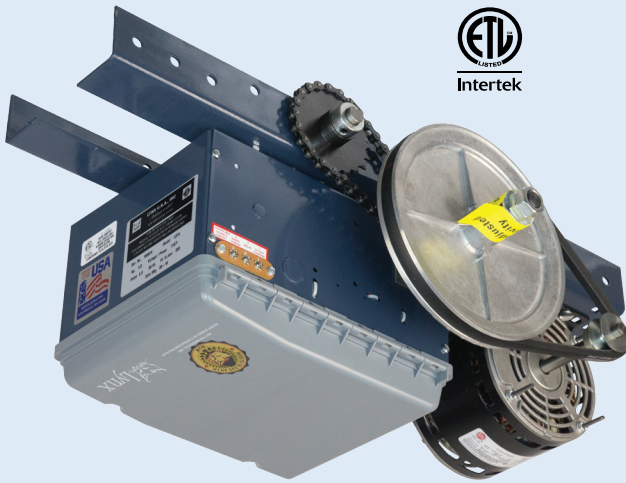


## MEDIUM DUTY TROLLEY



LDT MODEL SHOWN

### LDT

Medium Duty Trolley Operators are engineered for standard lift doors.

### FEATURES

- 1/2 HP 115V/60 HZ-1 Phase Motor
- 3 Button station (NEMA 1)
- 1500 RPM, high starting torque motor with overload protection
- LX 900 BOARD Standard Features (See Accessories cut sheet for more details)
  - B2 Mode, C2 Mode, TTC Mode
- On board, Open, Close, & Stop for ease of setting limits
- Photo-eyes included
- Pre-wired to accept sensing devices
- 24 Volt accessory power
- On board (372 MHz) receiver capable of programming up to 20 transmitters
- External receiver connection
- Ground level disconnect for manual operation
- NEMA 1 Electrical enclosure
- Adjustable friction clutch
- Primary drive: Heavy Duty (4L) V-Belt
- Door speed: Approx. 10" per second
- Standard chain/sprocket: #65 (secondary) #65 chain (output)
- Doors up to 16 feet high
- Warranty
  - 2 years on parts and motor

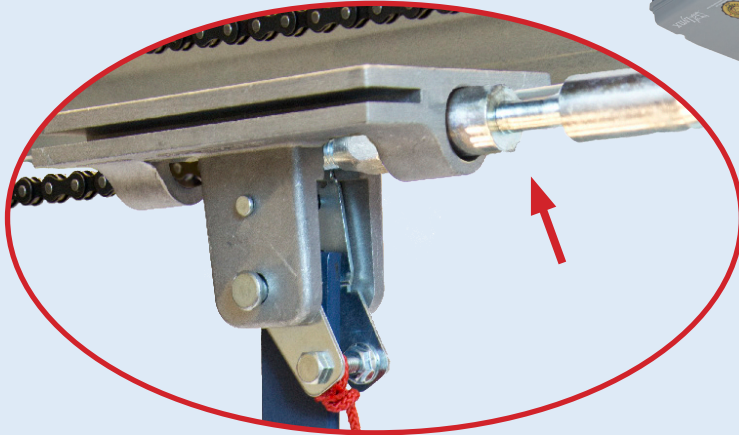
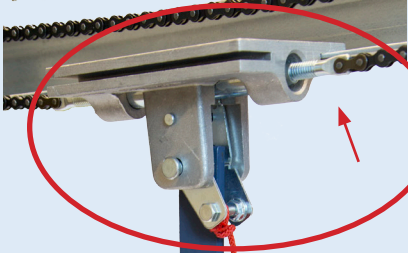
### LDT Series Options



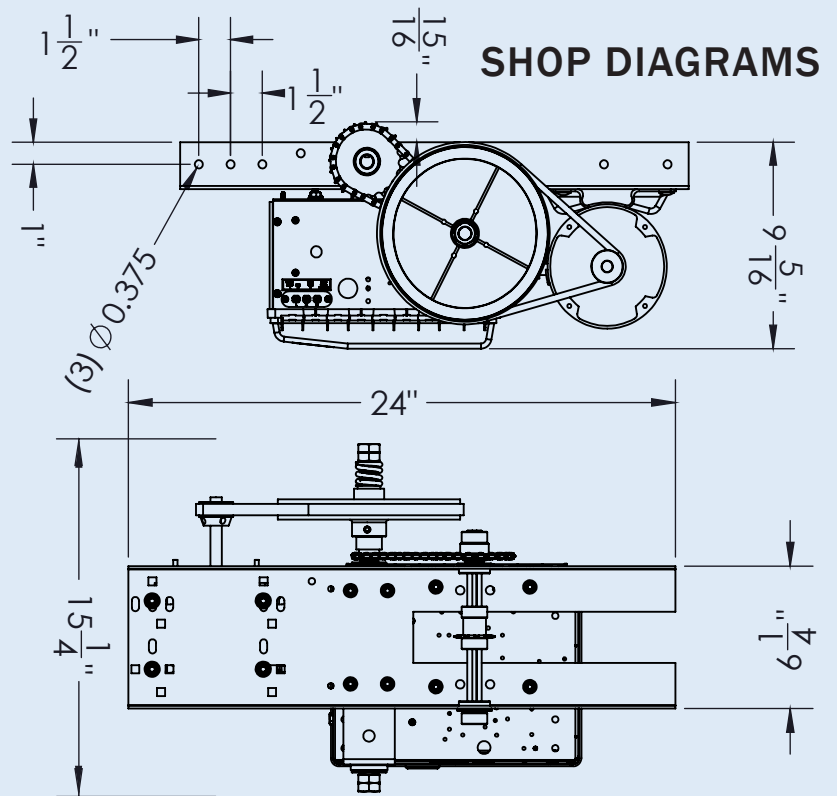
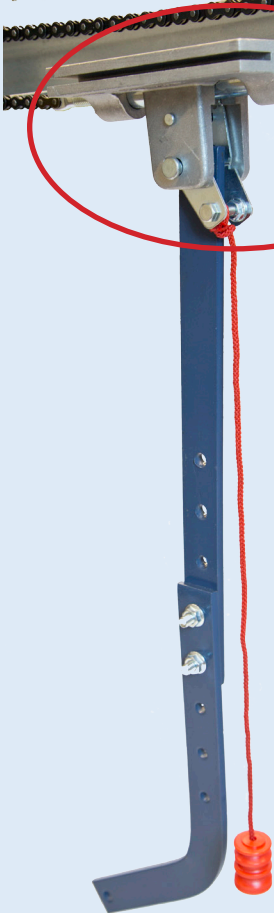
LDT	
LDTB	X



Easy to release trolley for manual operation.



**Manual Operation Release**  
Trolley automatically reconnects or can be manually reconnected with ease.



**Intertek**

PROUDLY ASSEMBLED IN NORTH AMERICA



## READY TO ORDER?

Please have the following information available:

- Optional solenoid brake
- Height of the door
- Area of the door
- Number of transmitters needed

**800-233-3599**  
**ARIZONA**

101 N. 57th Ave.  
Phoenix, AZ  
85043

**800-234-5969**  
**NEW JERSEY**

25 Empire Blvd.  
South Hackensack, NJ  
07606

**800-338-5399**  
**OHIO**

111 Weires Dr.  
Archbold, OH  
43502

**888-589-5969**  
**QUEBEC**

175 Upper Eddison Ave.  
St. Lambert, QC  
J4R 2R3

**888-839-5969**  
**ONTARIO**

6311 Vipond Dr.  
Mississauga, ON  
L5T 1T7